

6225 Foot Switches

herga

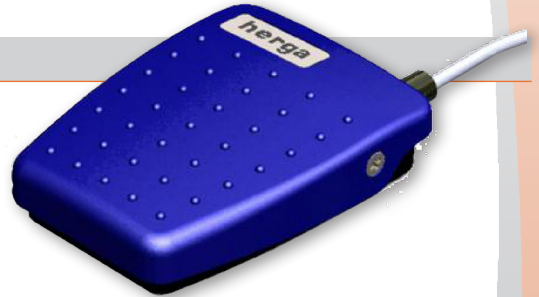
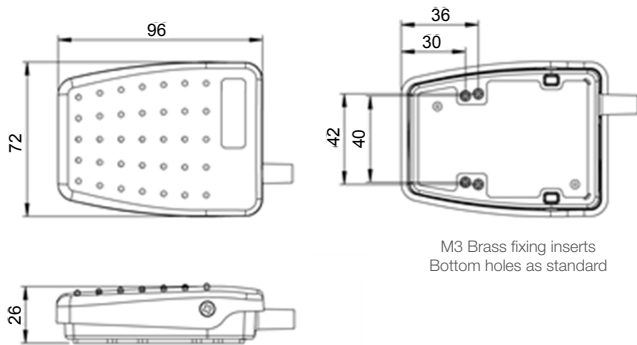
Technology Ltd

For IPX2 single & double pole switching
UL Approved / IEC 60601-1

- Low profile, rear hinged switch designed for improved user comfort
- All plastic construction with raised tread pattern and anti-slip pad
- Versatile and innovative design make it an ideal product for OEM use
- Switches designed to meet medical, industrial/office/commercial standards
- Option for customers to fit own cable



Reference dimensions



General specifications

Standards/approvals	UL file reference E353500 ANSI/AAI ES60601-1, A1:2012, C1:2009/(R) 2012 and A2:2010 (R) 2012 CSA CAN/CSA-C22.2 No 60601-1-14 IEC 60601-1 Ed 3.1 (2012) EN 60601-1:2006 & A1:2013 & A12:2014 BS EN 62368-1:2014 & A11:2017
Degree of protection	EN 60529 IPX2
Connection method	Stripped cable cores, USB or connector of your choice
Electrical rating	Max. 3A 24V AC/DC
Contact configuration	SPST N/O, SPST N/C, SPCO, DPST N/O, DPST N/C, DPCO

Operating temperature range	-20 to +60°C
Body material	Thermoplastic
Weight	0.14Kg (including cable)
Additional information	Customized versions available (logos, cordsets, colours, guards)



Subject to change without notice

6225 Foot Switches

herga

Technology Ltd

For IPX2 single & double pole switching
UL Approved / IEC 60601-1

Ordering & Options

6225 - [] [] [] [] [] [] [] [] - 0 0 0

Model

Cover & base colours (A,B,C,D,L or N)

- | | |
|-----------------------------|-----------------------------|
| A Black cover & Black base | D Green cover & Black base |
| B Grey cover & Black base | L Blue cover & Black base |
| C Yellow cover & Black base | N Orange cover & Black base |

Base configuration (A,B C or D)

- | |
|--|
| A Base fitted with M3 brass inserts |
| B Base fitted with Neoprene pad |
| C Base fitted with M3 brass inserts & Neoprene pad |
| D Base fitted with Anti-slip Feet |

Switching action (A,B,C, or D)

- | |
|---|
| A Single pole normally open microswitch (SC) |
| B Single pole change over microswitch (CC) |
| C Double pole normally open microswitches (DO) |
| D Double pole normally open microswitches Two stage (DA) |
| E Single or double switch supplied without cable |
| F USB Pre-programmed for customer keystroke (supplied with 2.5m cable & plug) |

Electrical rating (A,B or C)

- | |
|---|
| A Microswitch (Max. rating 0.1A, 24 V AC/DC) |
| B Microswitch (Max. rating 1.75A, 24 V AC/DC) |
| C Sub-Min Microswitch For USB Option Only (Max Rating 20mA 5V DC) |

IEC 60601-1 & UL 60601-1, 2-core cable at 2m length

- | | |
|------------------------------|----------------------|
| A Cable 2-core Grey | B Cable 2-core Black |
| C Cable 2-core Grey screened | Z No cable chosen |

IEC 60601-1 & UL 60601-1, 3-core cable at 2m length

- | | |
|------------------------------|----------------------|
| A Cable 3-core Grey | B Cable 3-core Black |
| C Cable 3-core Grey screened | Z No cable chosen |

IEC 60601-1 & UL 60601-1, 4-core cable at 2m length

- | | |
|------------------------------|----------------------|
| A Cable 4-core Grey | B Cable 4-core Black |
| C Cable 4-core Grey screened | Z No cable chosen |

Non cable variants - Customer fitted units (IPX2)

- | |
|--|
| A Single microswitch changeover (Solder tag 3.2 mm x 0.5mm) (Max. rating 3A, 24 V AC/DC) |
| B Double microswitch changeover (Solder tag 3.2 mm x 0.5mm) (Max. rating 3A, 24 V AC/DC) |
| Z No cable option chosen |

Special attributes

000 indicates no special attribute option chosen (product as standard matrix)
001 through 999 indicates special attributes

Note : Suitability of special attributes may not be covered by UL
Examples: Customer specified cable/cordset with or without plug (Max. rating 3A, 24V AC/DC)
Cable length variation if different from 2m
Pre-programmed keystrokes for USB footswitch
Customer specified identification and label combination
Guard or special base

Accessories

Part Number	Description
6202-0001	Single Black RAL 9005 guard
6202-0002	Single Grey RAL 7035 guard
6202-0003	Twin Grey RAL 7035 guard



With 6202 Guard

